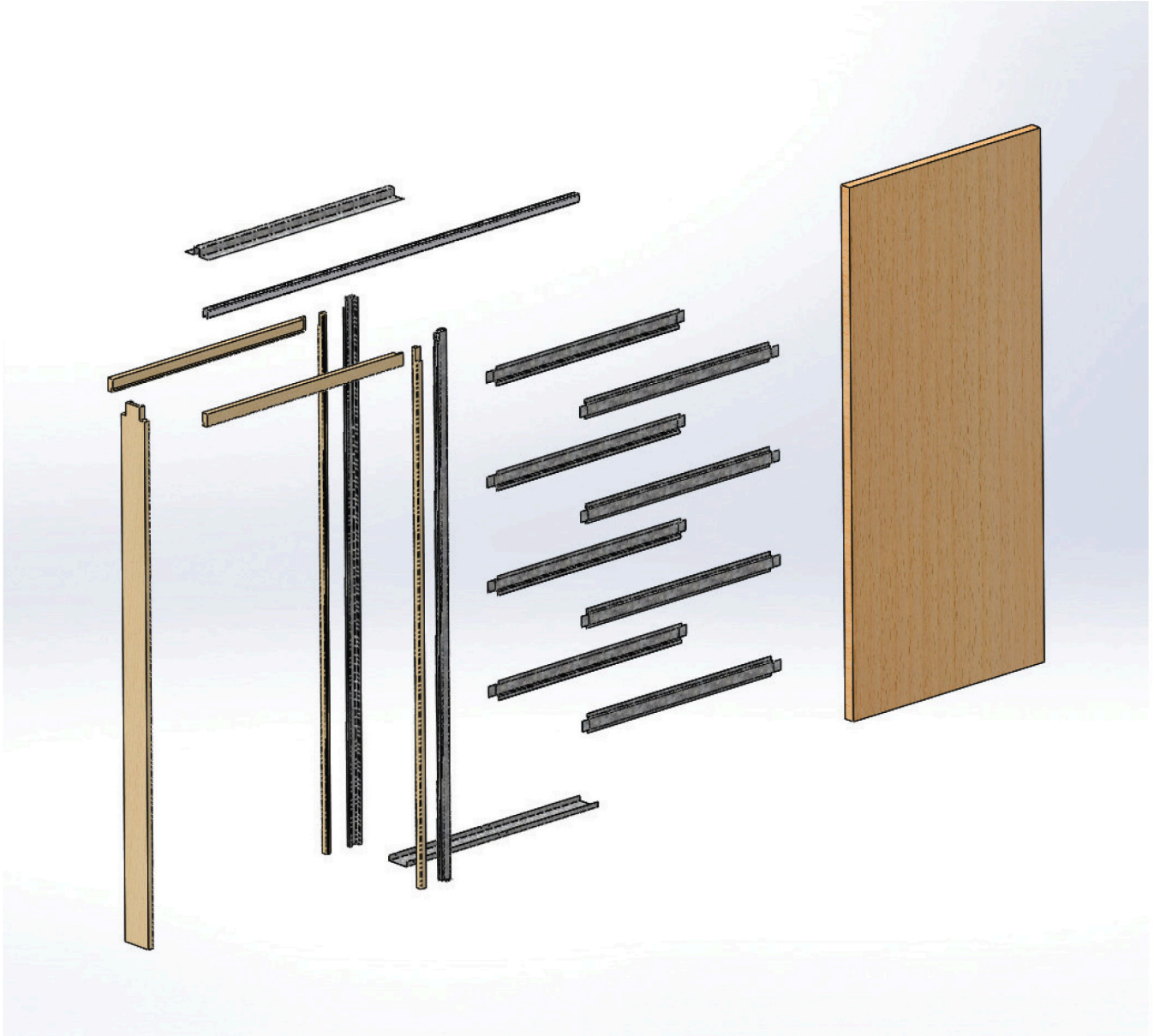


# iMpero Slide

## Single Door Installation Guide



**doorstuff**

Doorstuff Ltd. 10 Estuary Court, Broadmeadow Ind. Estate, Teignmouth, TQ14 9AE  
Tel. 01626 335500, email: [info@doorstuff.co.uk](mailto:info@doorstuff.co.uk)

# Introduction

Please read this manual thoroughly before attempting to assemble and install your system. This will assure optimum performance and safety.

Your Pocket Door Kit has been designed to be installed by competent DIY enthusiasts using correct tools and adherence to safety. If in any doubt please seek the advice of a building professional.



## Safety Precautions

Safety must always be your primary concern during the assembly, installation and operation of your Pocket Door. Always be aware of the risks involved with moving parts and installation. If in doubt please seek further assistance before proceeding.

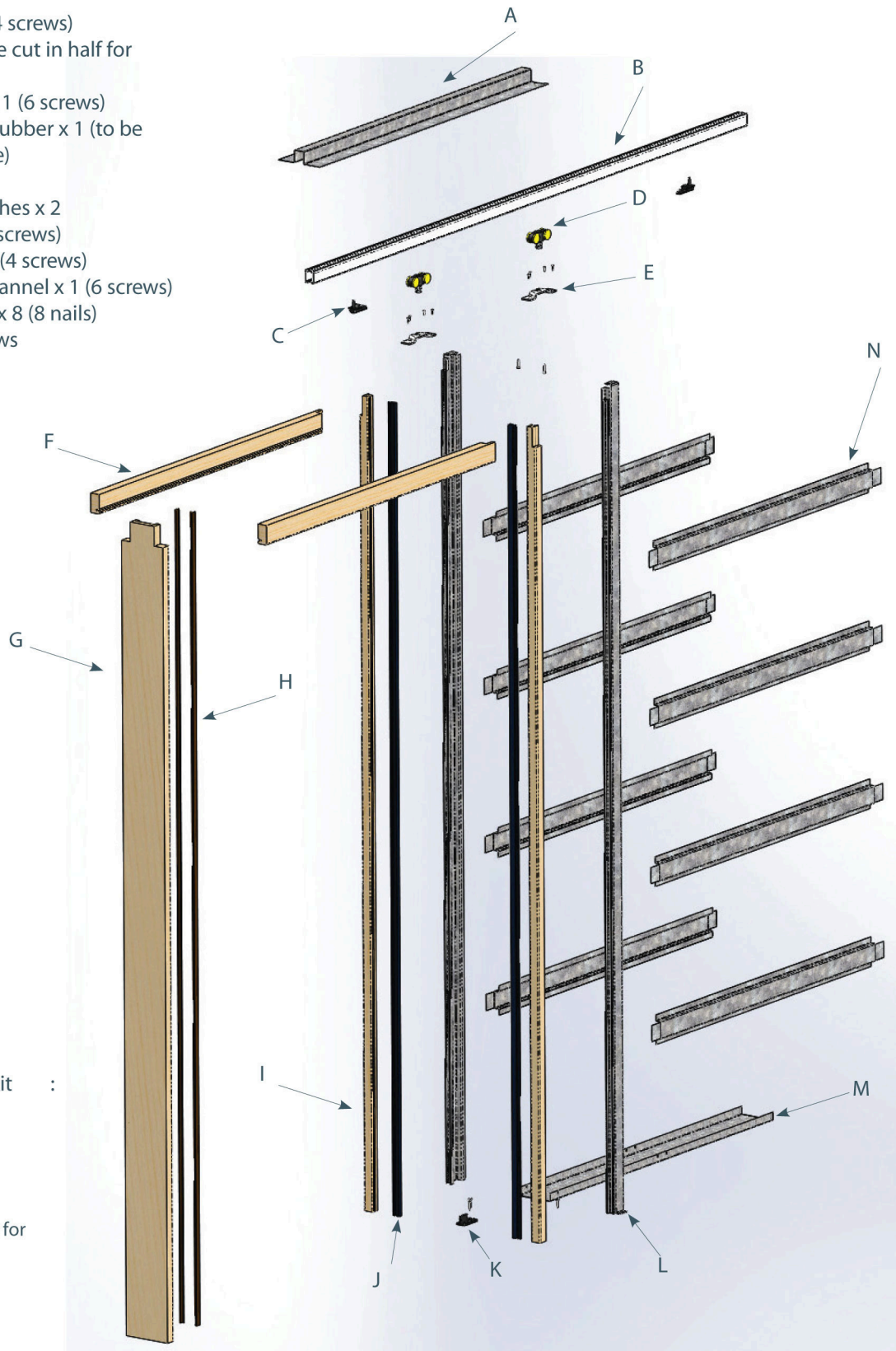
- If at any time, a component of the Pocket Door works loose, correct it immediately.
- Working with tools of any kind can be dangerous. Your Pocket Door requires some basic assembly with hand tools. If you are in any doubt about how to use these tools correctly, please seek advice from a suitably experienced person.
- Always ensure that other personnel in the immediate vicinity are aware of any fitting operations that will be occurring. Check there are no loose components or tools likely to fall and cause injury during the fitting operation. Where possible, all assembly work should be completed at ground level.
- Ensure protective gloves are worn when handling the Pocket Door Frame components.
- Always use appropriate equipment.

Please use common sense when installing your Pocket Door Kit!

# Before you start

Check all parts for the kit:

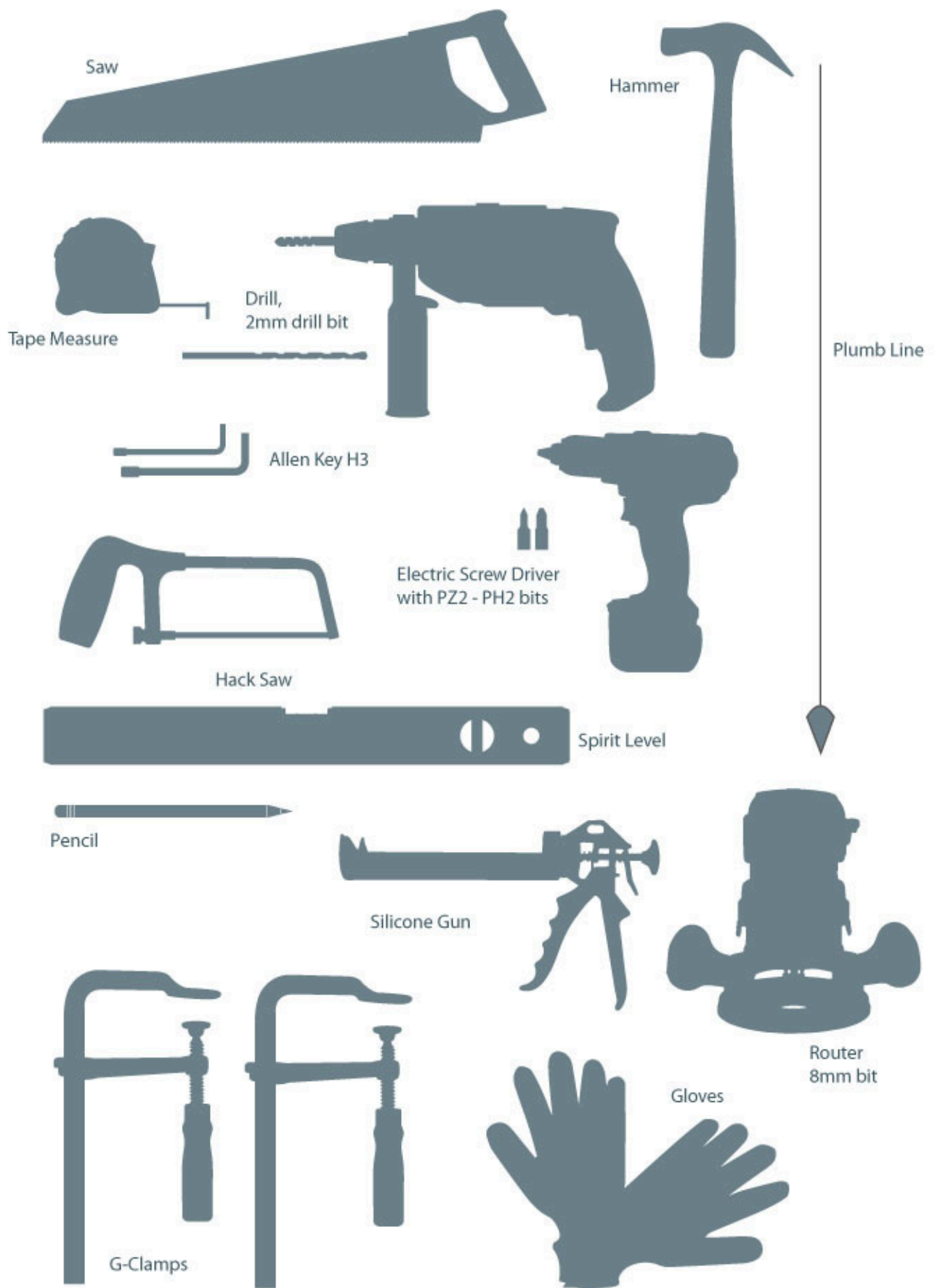
- A - Frame Top Hat x 1
- B - Frame Running Track x 1 (4 screws)
- C - Door Stopper x 2
- D - Running Gear x 2
- E - Door Hanger x 2 (4 screws)
- F - Top Jamb x 1 (to be cut in half for both sides)
- G - Door Stop Jamb x 1 (6 screws)
- H - Door Stop Jamb Rubber x 1 (to be split down the middle)
- I - Upright Jamb x 2
- J - Upright Jamb Brushes x 2
- K - Door Guide x 1 (2 screws)
- L - Frame Upright x 2 (4 screws)
- M - Frame Bottom Channel x 1 (6 screws)
- N - Frame Horizontal x 8 (8 nails)
- O - Plasterboard Screws



Not Included in this Kit :

- Door
- Door furniture
- Plasterboard
- Architrave
- Rawl plugs and screws for concrete floor fixing
- Adhesive silicone

# Tools required



# Preparation

The Pocket Frame must be installed at finished floor level. Please use packing if required

Check the opening size of the stud work (measured to finished floor level) is correct for the system ordered

Ensure stud opening is plumb and square

Mark centre lines on the opening studs (top and sides) with pencil

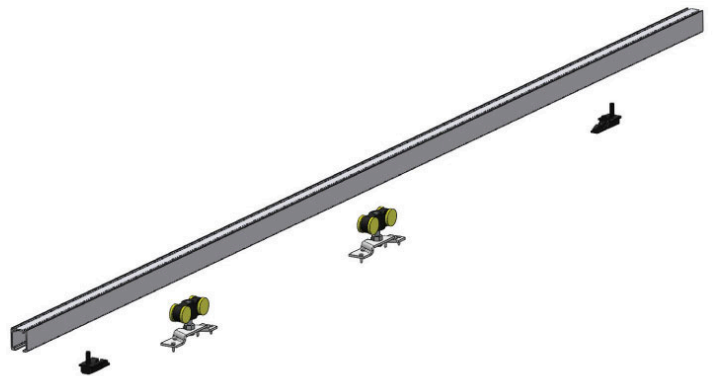
Drop plumb-line from centre line at the top to the ground and mark in several places so a line can be drawn along the ground.

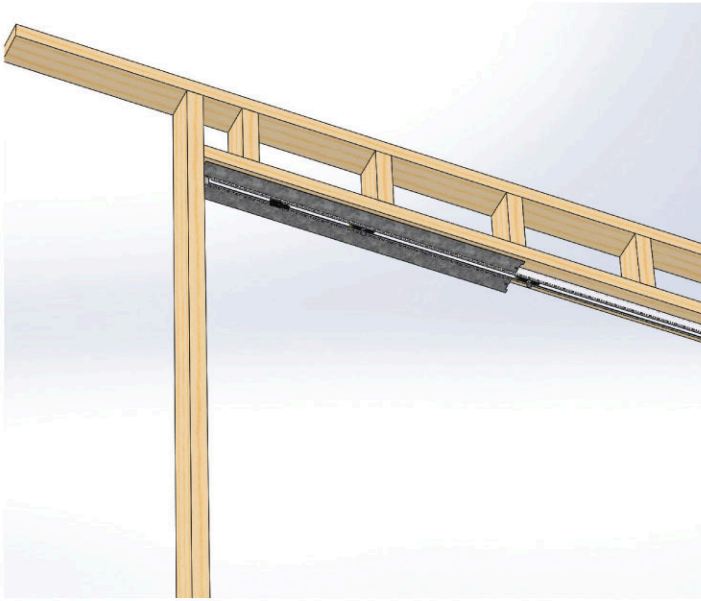


# Installation of the Pocket Frame

Cut Frame Running Track to fit opening

Put Running Gear and Door Stoppers into Frame Running Track as they need to be inserted before fixing.

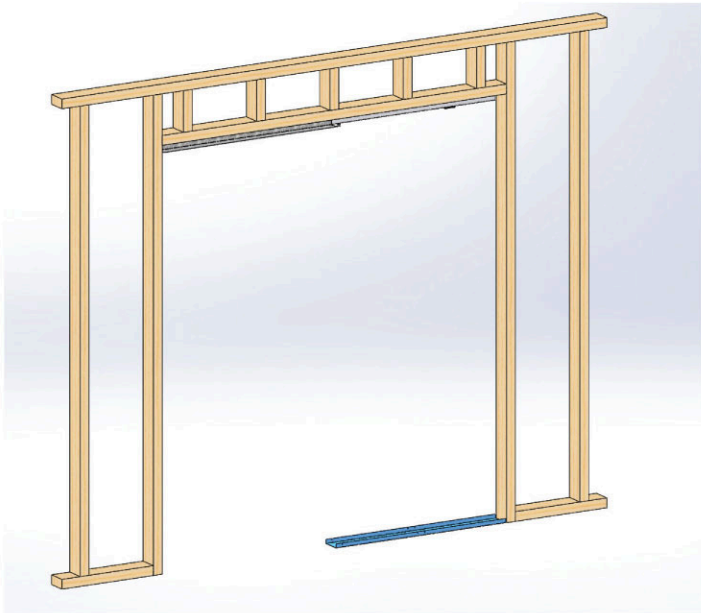




Insert Frame Running Track into Frame Top Hat and fix along the centre line under the top stud and against the side stud using G Clamps to hold in place. Drill through Frame Running Track and screw to fix

2

Ensure the Frame Top Hat notches (where Frame Uprights locate) are in the centre.



Position Bottom Channel on centre line on the ground on opposite side of Frame Top Hat

3

Do not fix yet.



Insert Frame Uprights. Locate Frame Uprights into notches in the Frame Top Hat and the Bottom Channel.

4

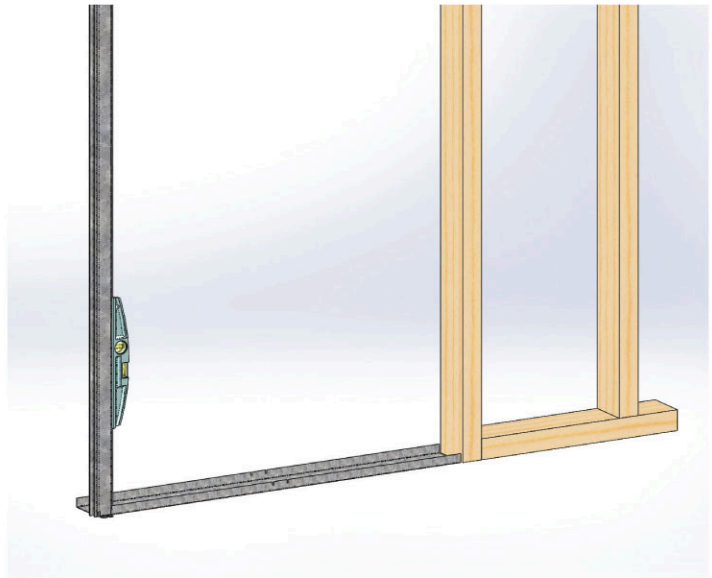
Ensure the Orange Arrow is pointing Up and is on the outside of the pocket.

5

Slide the Bottom Channel left or right, in or out, until the Frame Upright is plumb in all directions. Accuracy is imperative to ensure the door hangs and operates correctly

Mark the Bottom Channel and remove Frame Upright

Fix Bottom Channel to ground through holes supplied with screws (if floor is timber) or appropriate rawl plugs and screws (not supplied) depending on floor construction. Care should be taken of any underfloor cabling or pipes.

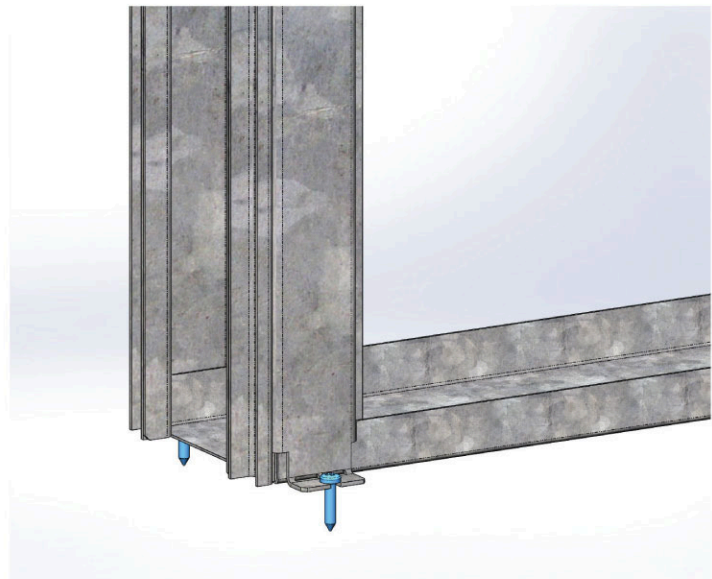


6

Insert Frame Upright again

Fold tabs at the bottom

Fix Frame Upright to the ground first (this will stop the section lifting when fixing to the top stud) through tabs supplied with screws (if floor is timber) or appropriate rawl plugs and screws (not supplied) depending on floor construction. Care should be taken of any underfloor cabling or pipes.



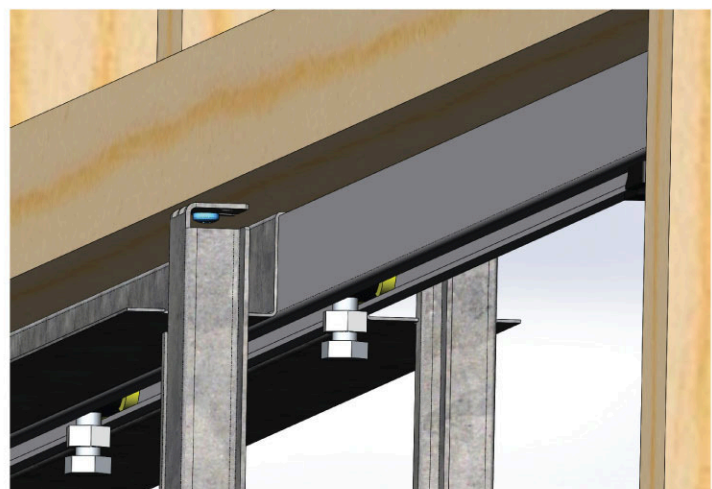
7

Either lap the tab at the top over the top stud or fold under the top stud as shown

Fix Frame Upright to the top stud using screws

Ensure the Frame Upright is still plumb as accuracy is imperative to ensure the door hangs and operates correctly

Repeat steps 6 and 7 for both sides.





Insert Frame Horizontal.

8



Locate Frame Horizontal into slot in Frame Upright (ensure it is correct way round).

9



Ensure the Frame Horizontal notch catches on the Frame Upright. Pull the Frame Horizontal tight towards the upright stud and fix using the nail.

10



11

Repeat for 4 Frame Horizontals on both sides.

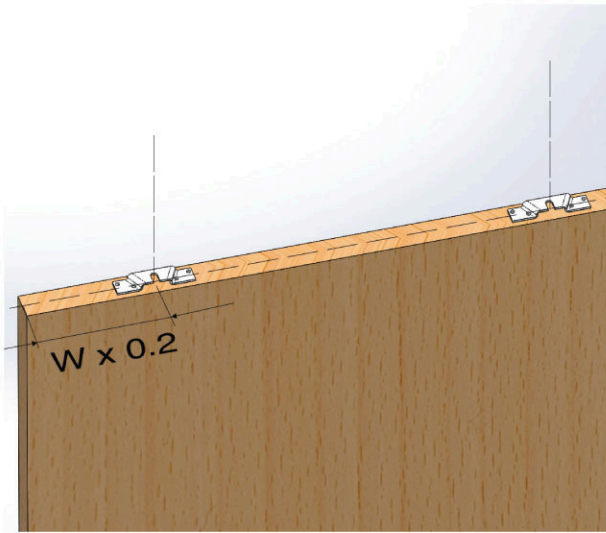


12

Fit Running Guide with screws (if floor is timber) or appropriate rawl plugs and screws (not supplied) depending on floor construction. Care should be taken of any underfloor cabling or pipes.



# Installation of the Door



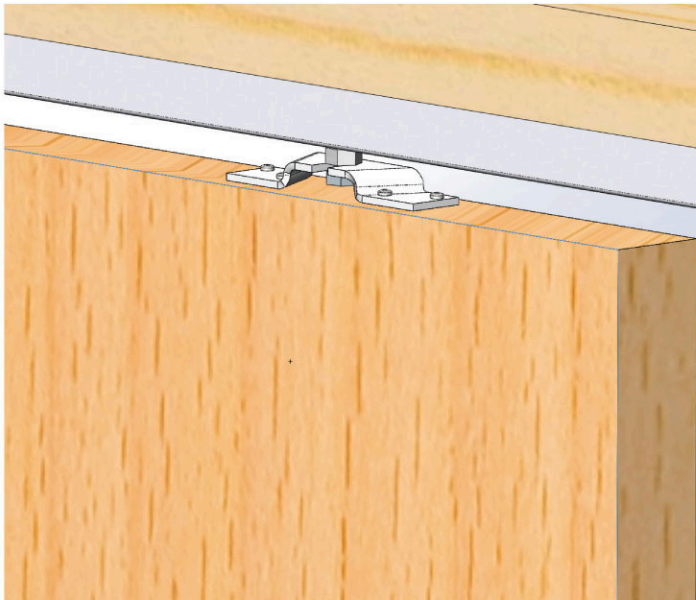
Fix Door Hangers to the top of the door with screws supplied. The hanger should be placed 0.2 x width of the door from each end

Ensure the hanger is positioned centrally on the top of the door

Rout the bottom of the door using 8mm routing tool to a depth of 20mm. Do not rout the entire length of the door. Leave 5mm at the front edge if you do not want the rout to be visible

Door furniture should be fitted at this point using specific instructions.

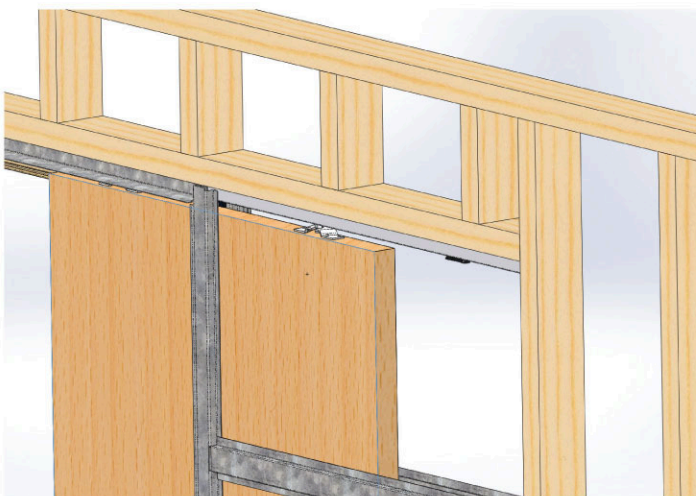
13



Hang the door on the Running Gear, inserted as part of step 1, by locating the Hangers between the two nuts and tighten with spanners

Ensure the Running Gear bolt is located firmly into the back of the Door Hanger and has not moved forward when tightening. Gloves should be worn to ensure hands are not caught on the Frame Top Hat edges.

14



Ensure the door runs smoothly and is plumb

Adjustment can be made by raising or lowering the appropriate Running Gear bolt.

15

# Installation of the Door Jambs

16

Cut Door Stop Jamb (at the bottom) to fit opening

Fix the Door Stop Jamb to the upright stud with screws through the grooves in the Jamb or with adhesive to the back

Cut Door Stop Jamb Rubber to length and push into groove to fix.



17

Cut Upright Jamb (at the bottom) to fit opening

Cut Upright Jamb Brushes to length and push into groove to fix

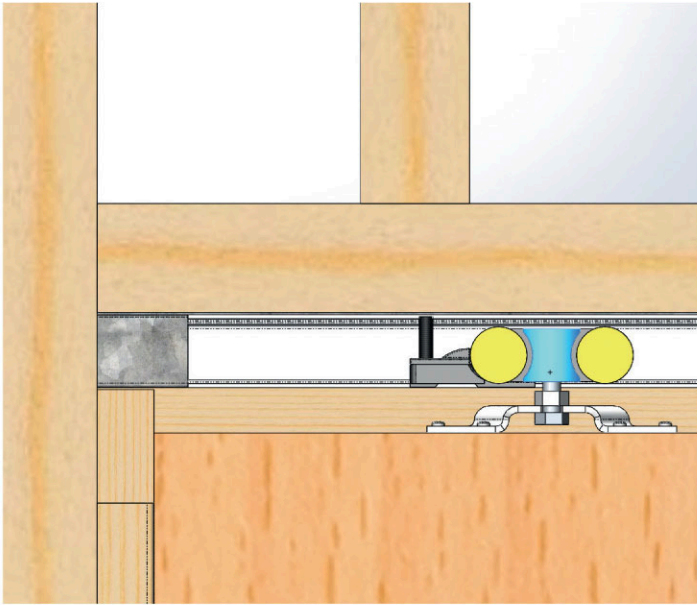
Fix Upright Jamb to the Frame Upright using adhesive like No More Nails by inserting the adhesive into the groove on the Jamb and also the 'C' section of the Frame Upright where the Jamb touches the Frame. Clamp in position if required and allow to dry. Note, the Jamb should protrude the thickness of the plasterboard, 12.5mm, from the Frame Upright so that it is flush when the board is installed

Repeat for both sides

When the door is in the Pocket ensure it is flush with the Upright Jamb. However, if you are not using flush door furniture the door should protrude as required

Ensure when the door is closed that it fits the opening and a small amount (approximately 10mm) remains in the pocket and on the Running Guide).





Ensure the Running Gear Stops stop the doors in the correct location and fix into place using Allen Key.

It is important that this is sufficiently tight so it does not move. For additional peace of mind the track could be drilled slightly so that the bolt has a locating point.

18



Once the door is operating correctly, cut Top Jamb to fit opening (ensure the cut end is located into the Door Stop Jamb)

Use the remainder of the Top Jamb for the other side and cut to fit (be sure to cut from the already cut end)

Cut Jamb Brushes to length and push into groove to fix on both sides

Fix using adhesive like No More Nails on each end.

19

20

Door must be in the closed position

Cut plasterboard or plywood, as long as it is the same thickness, to the correct size and fix in between each Frame Horizontal using adhesive along the flanges of the Frame Upright and Horizontals

Be sure to fit the top and bottom sections first and ensure they do not obstruct the pocket cavity in any way. Then fit the middle sections and repeat for both sides

The plasterboard double layer has been specifically designed by Slide Systems for additional rigidity, sound proofing and for optionally fixing from inside the pocket out through the plywood and exterior plasterboard with screws to secure structures that may be required against the pocket itself. i.e. boxing for enclosed toilet systems.





Door must be in closed position before plasterboard is fixed to ensure no damage when drilling holes

Using a whole sheet of 12.5mm plasterboard drill holes using 2mm drill and fix using Plasterboard screws provided

Care should be taken, by supporting accordingly, to avoid bending the Frame by over exerting pressure when drilling holes for plasterboard screws

Fix using Plasterboard screws provided through all Frame Horizontals, both Frame Uprights and around all the studs. Ensure that screws do not pass into the pocket as this could cause markings to the door that Slide Systems can not be responsible for

Be sure not to have forced the top section of under layer plasterboard into the pocket

Your system is now ready for plastering and architrave (not supplied) fixing using adhesive.